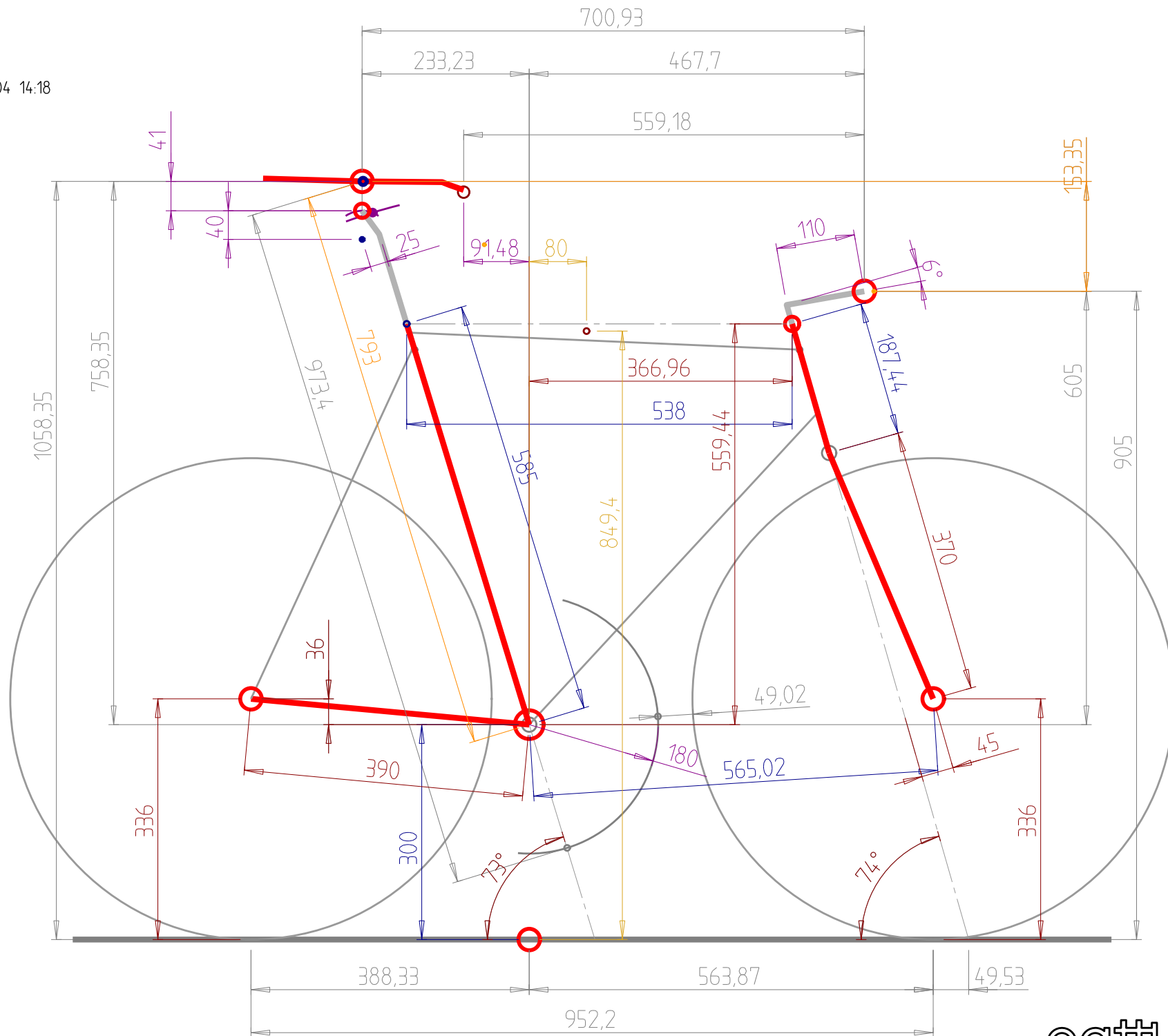
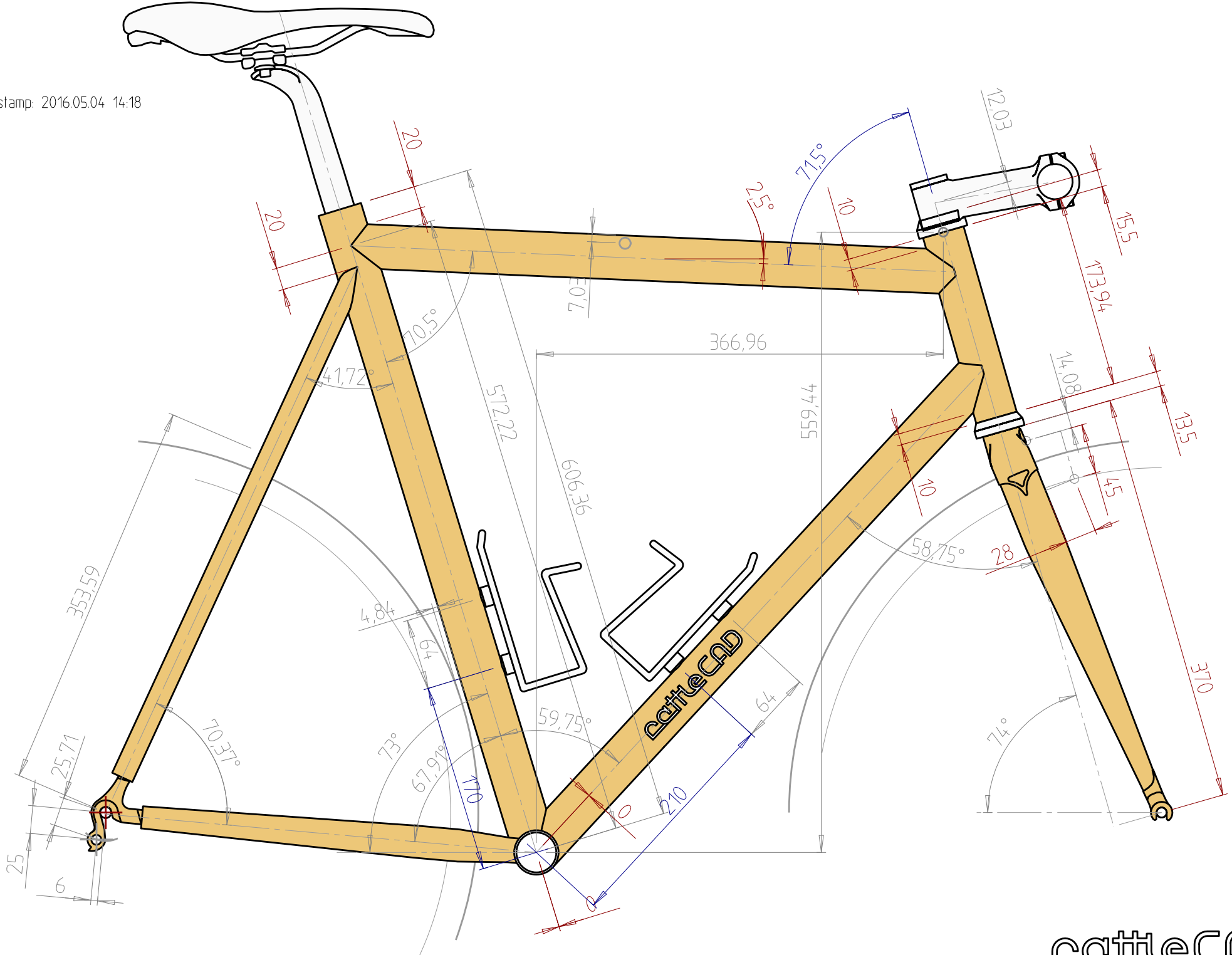


timestamp: 2016.05.04 14:18



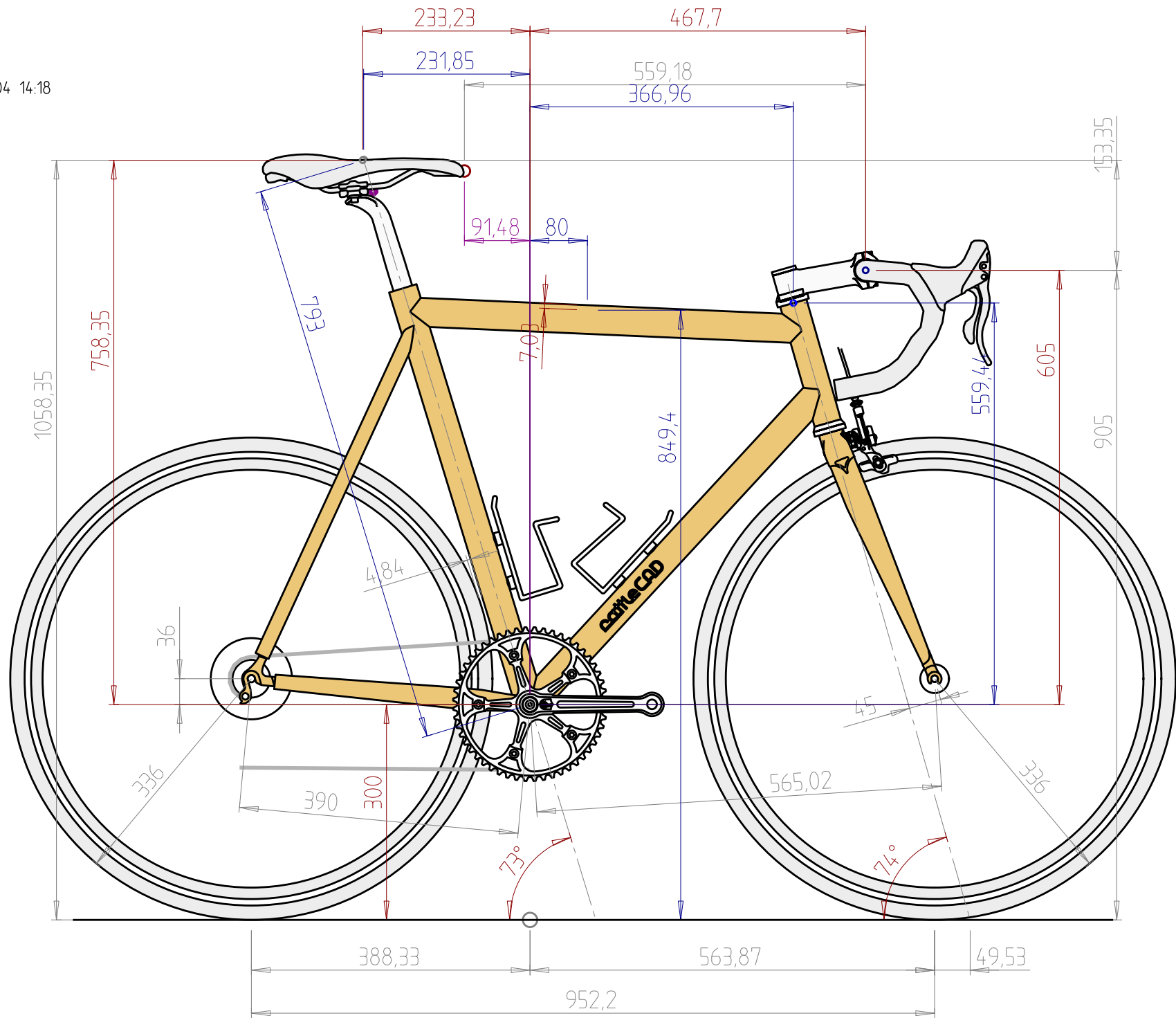
rattleCAD

timestamp: 2016.05.04 14:18

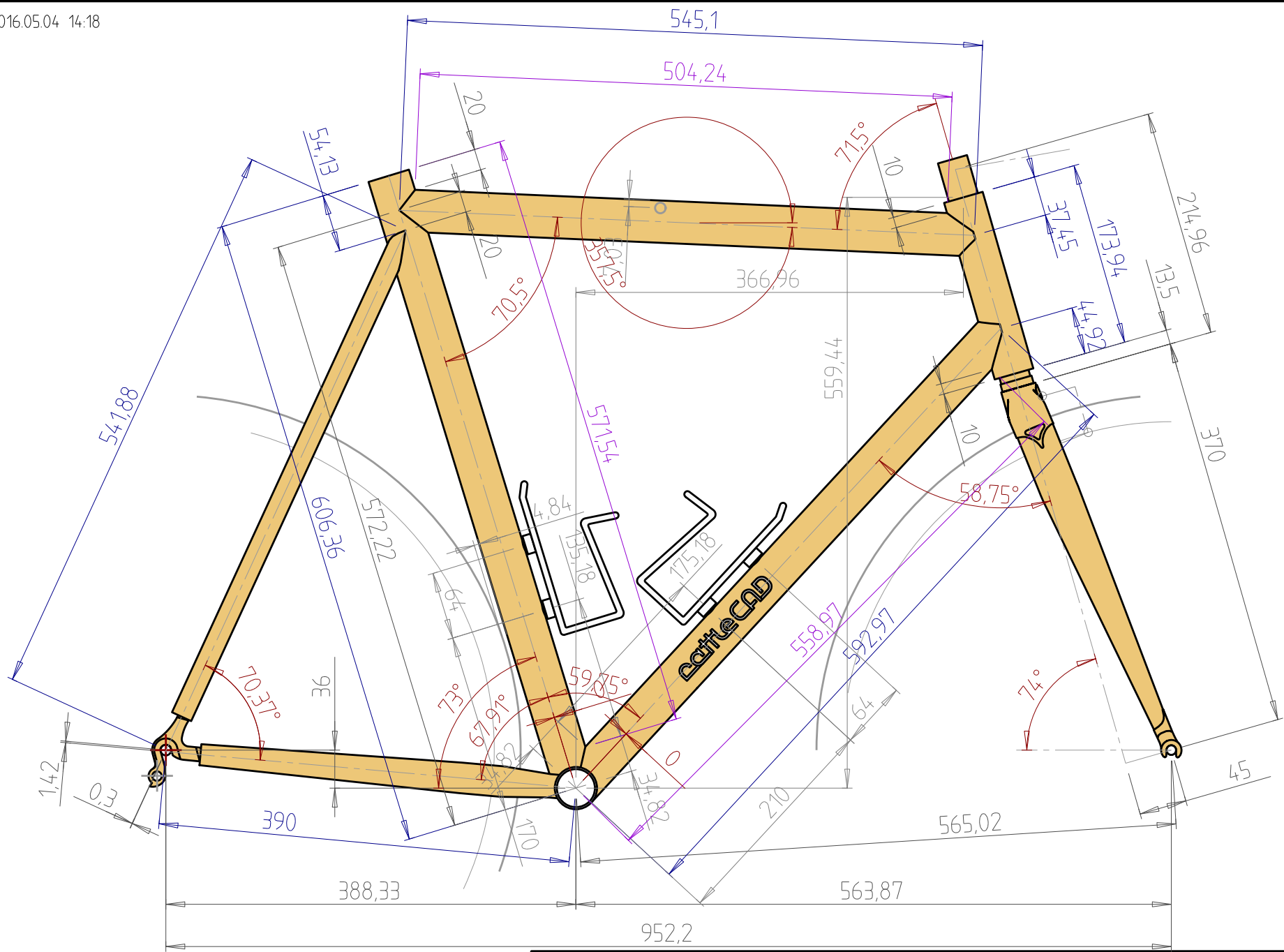


rattleCAD

timestamp: 2016.05.04 14:18

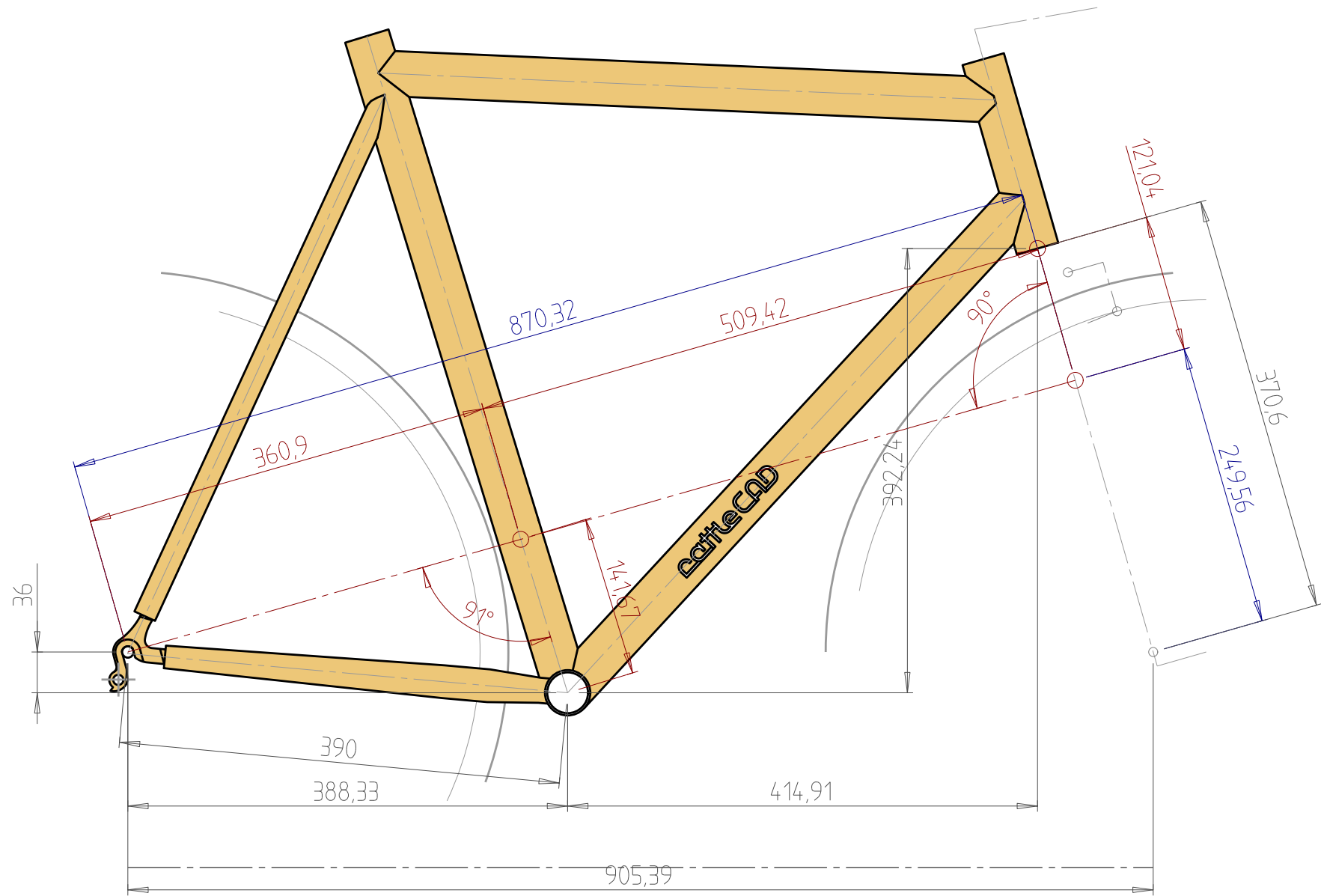


rattleCAD



A4	rattleCAD V3.4.02.80	2016.05.04 - 14:17:51
1:5	BambooBike	





Angle: 90.0°: 90° 00' (90° 00')
 Angle: 91.0°: 91° 00' (89° 00')

A4	rattleCAD V3.4.02.80	2016.05.04 - 14:17:51
1:5	<- rattleCAD ->	BambooBike